

CP-301 Desk Fume Extractor Manual

Specifications

Product model: CP-301

Net weight: 1.2KG

Air volume: 1.5cm³/min

Body size: 153*153*76.5(MM)

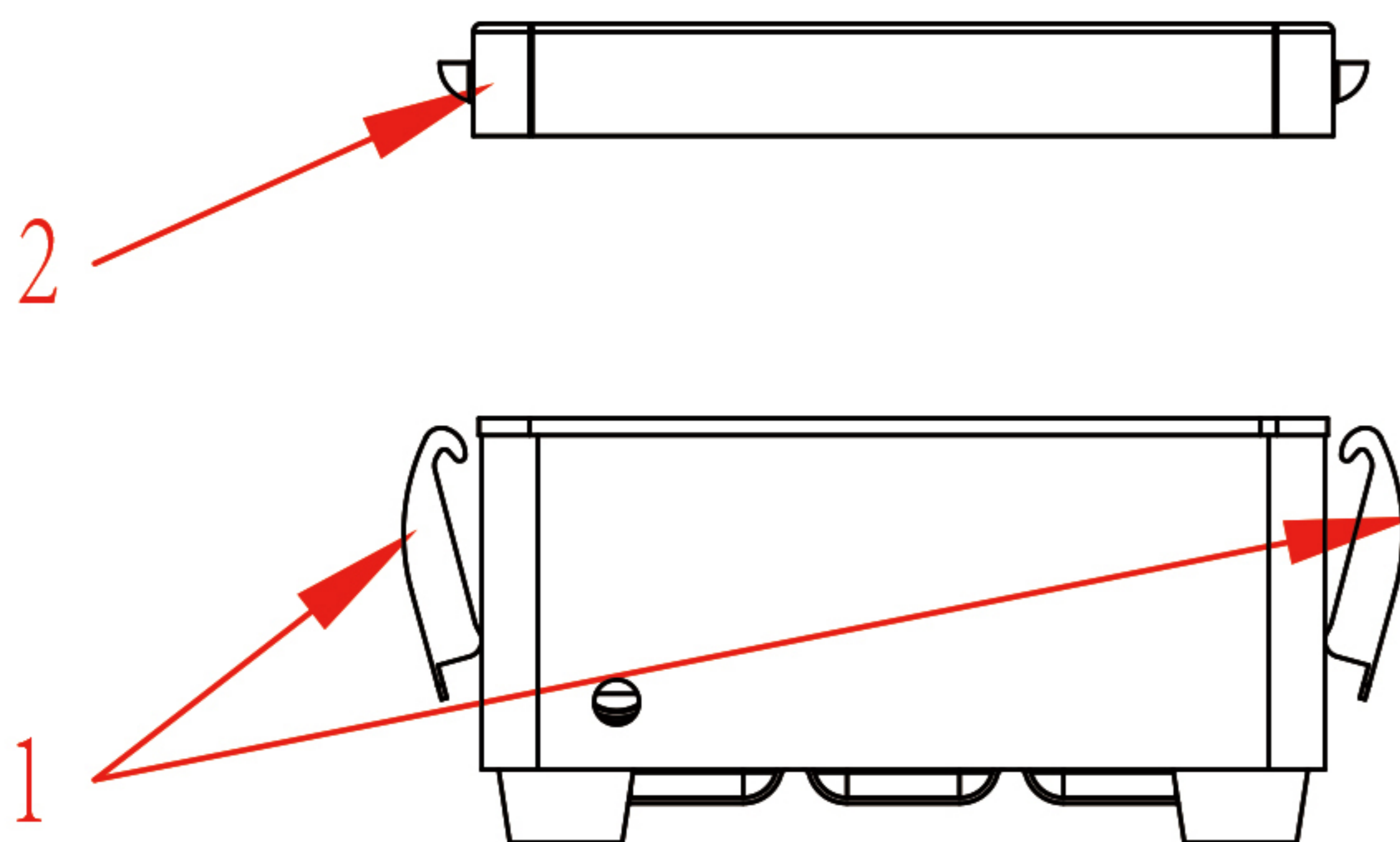
Packing size (without acrylic cover): 285*215*130 (MM)

Gross weight (with acrylic cover): 2.65kg

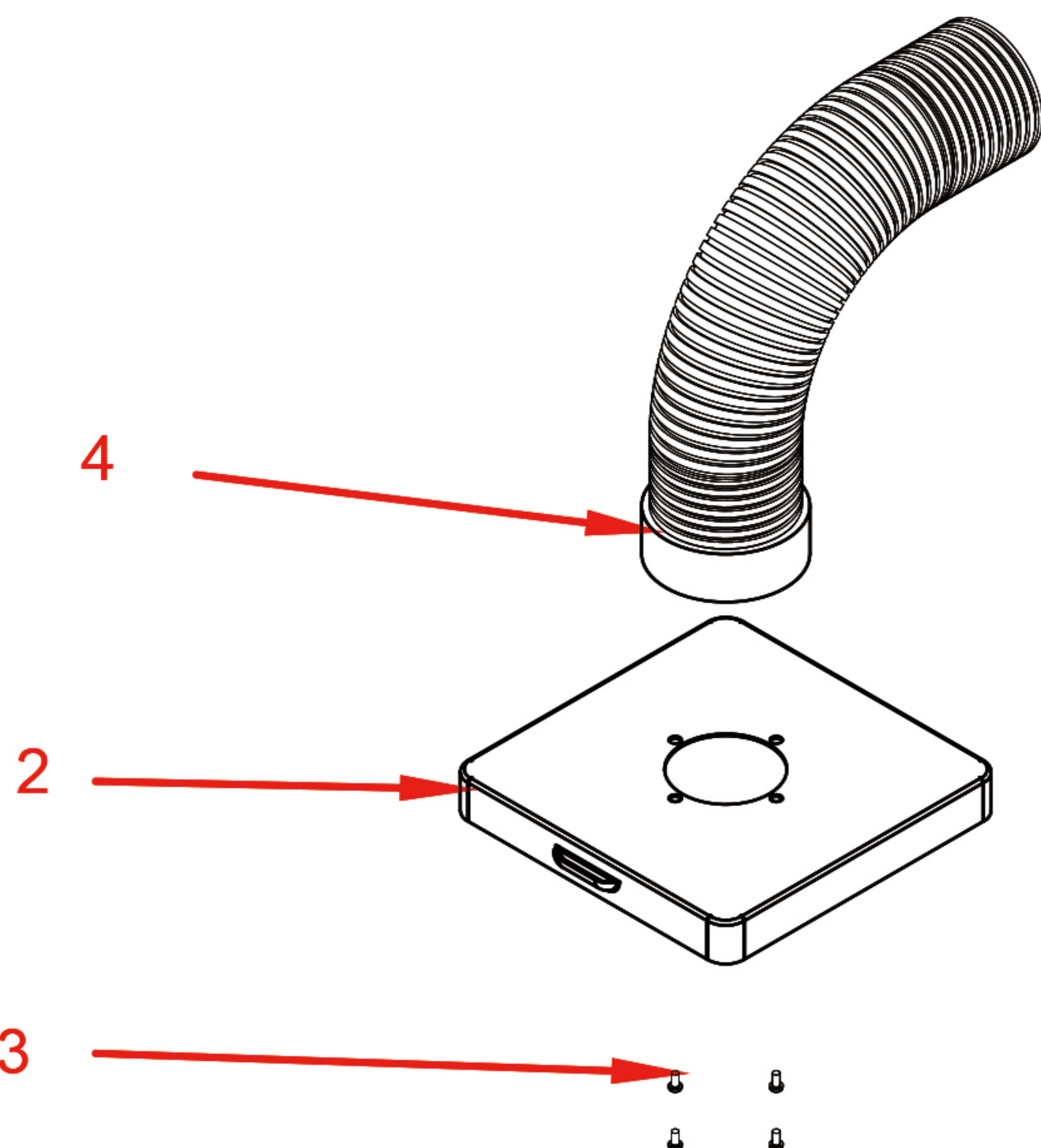
Gross weight (without acrylic cover): 2.05kg

Product features: low noise, strong suction, fast speed

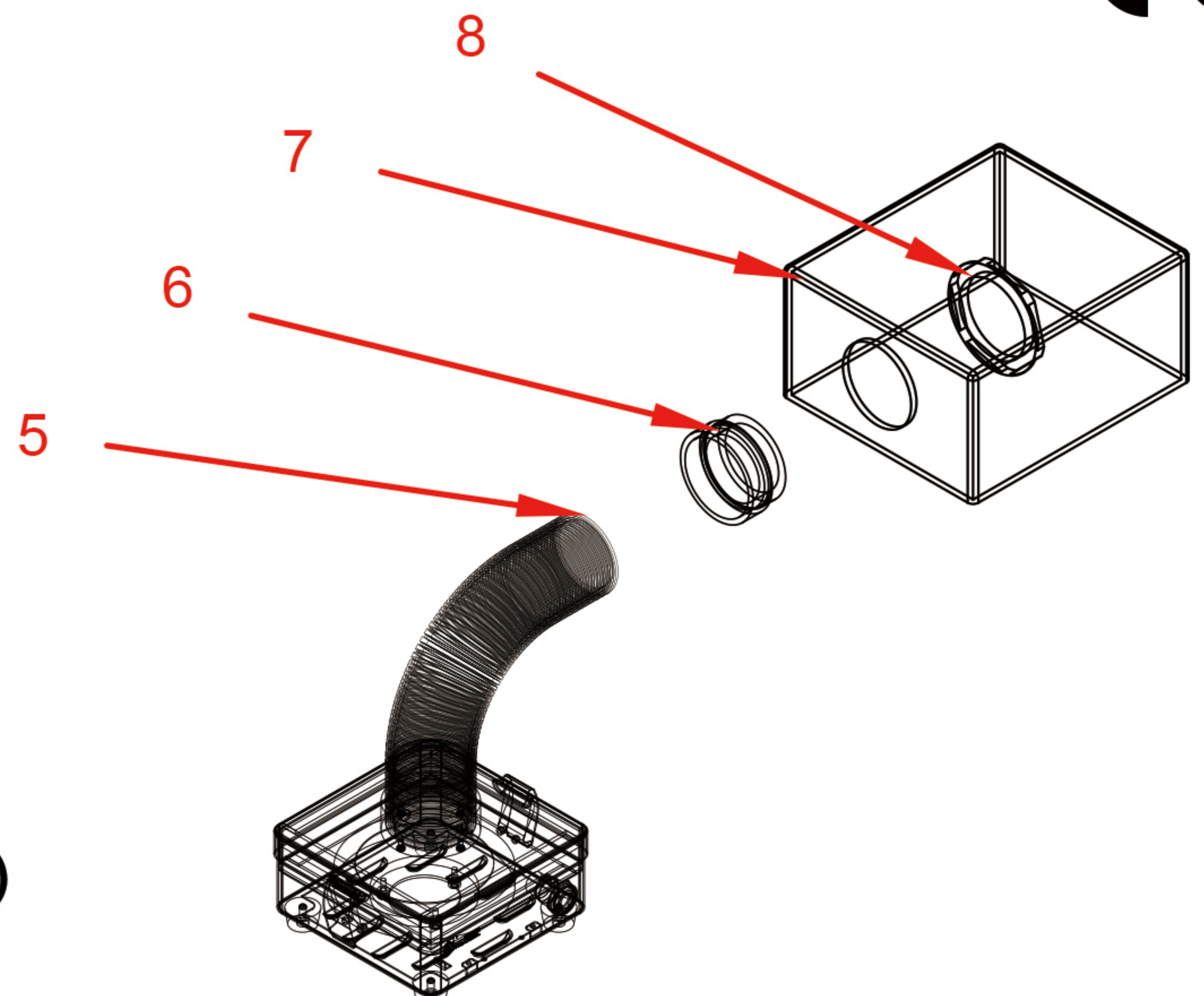
Installation steps:



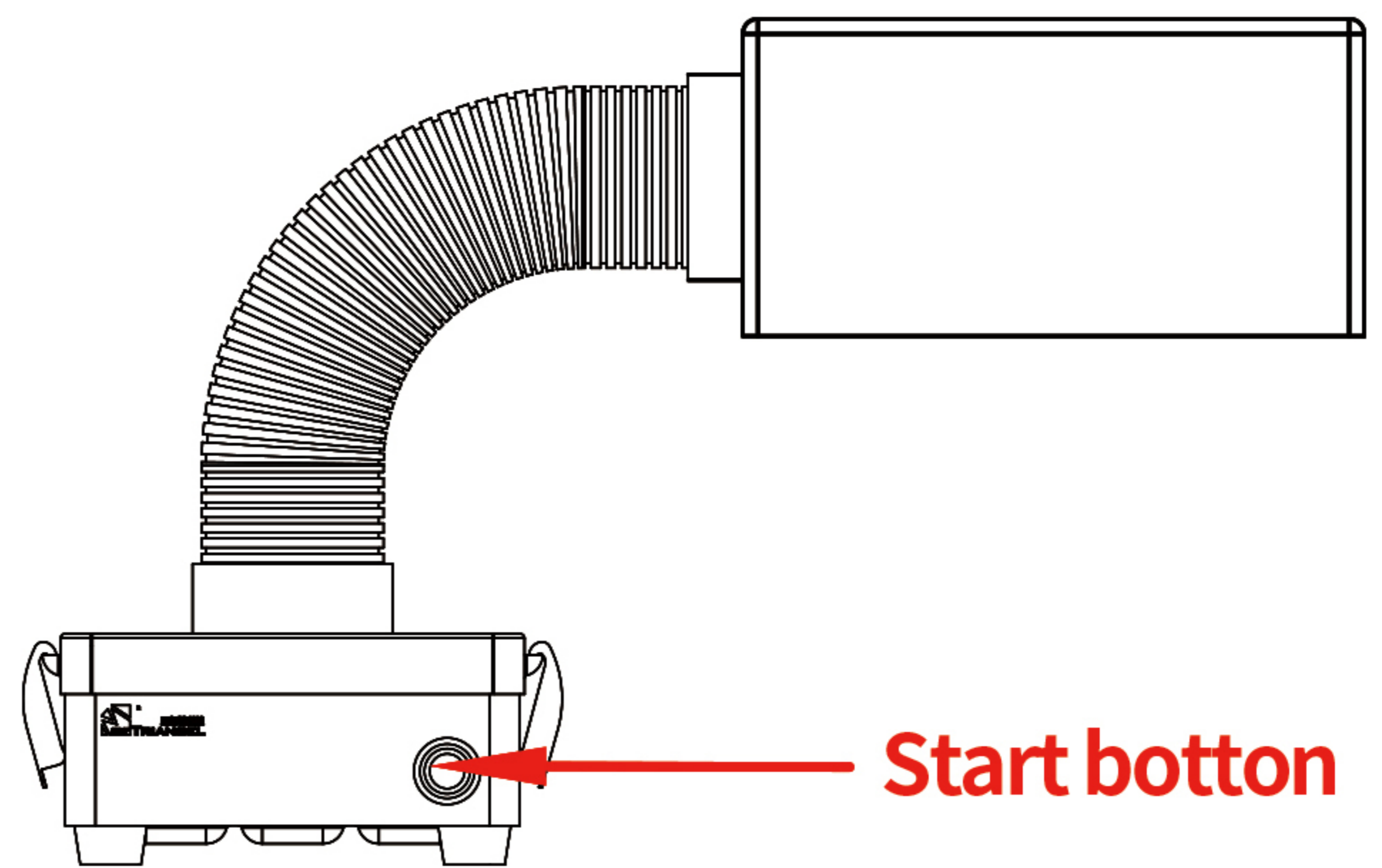
1. Take off the "1" apart to separate the "2" from the main body



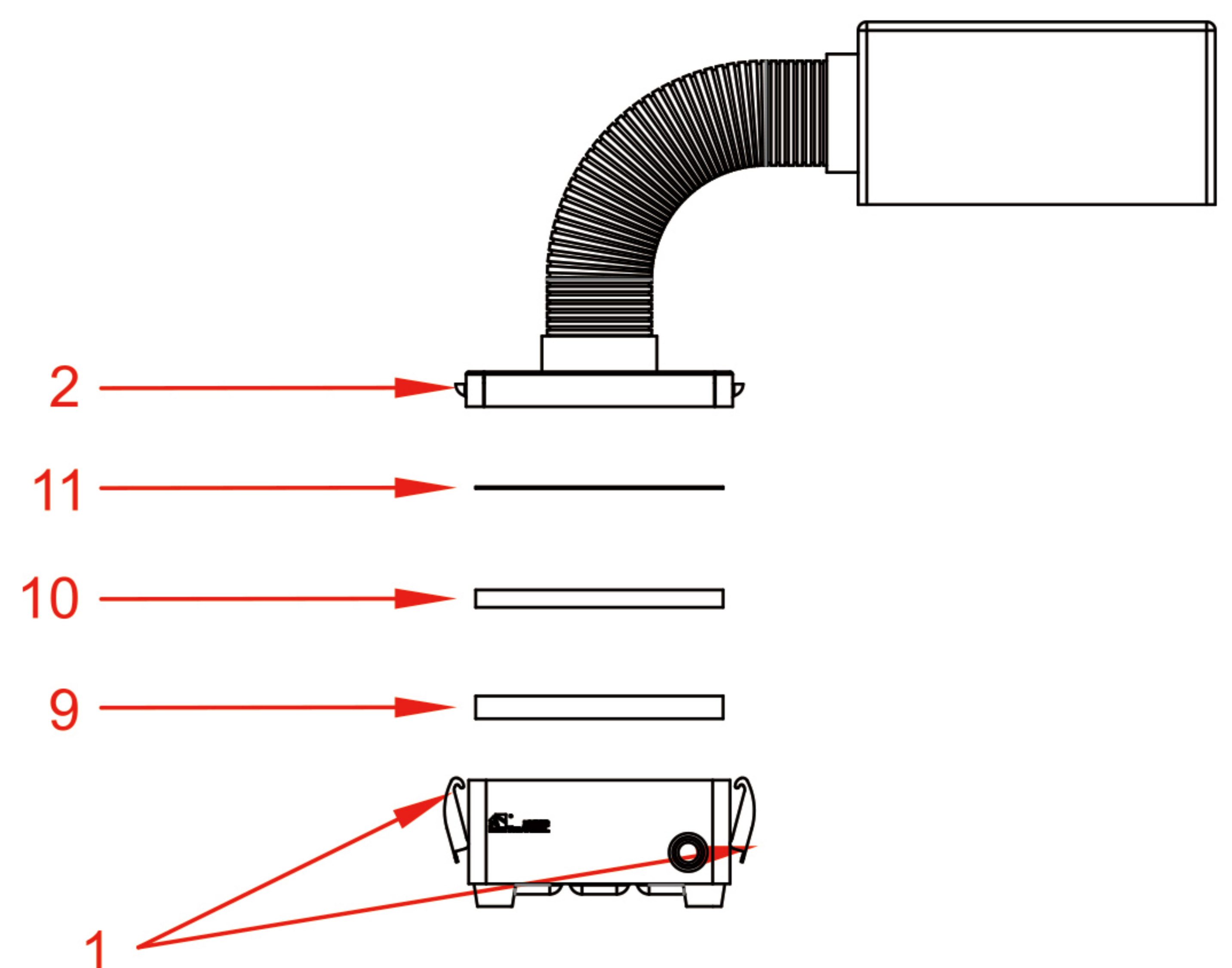
2. Place "4" on the upper surface of "2" and align the screw holes, use four screws ("3") to tighten "1" from the bottom of "2"



3. Insert the "5" knob into "6", insert the other end of "6" into the round hole of "7", and use "8" to tighten "6" from inside "7"



4. After pressing "Start", the device works



Filter installation steps

Take off "1" to separate "2" from the main body, first put in the activated carbon removal filter "9", then put in the HEPA dust collection filter "10", and finally put in the high-density primary efficiency filter "11"